



## EVERHOT | 150

The Everhot 150 has four large ovens and a wealth of cast iron hotplate capacity, as well as two grills, integral controls and a useful resting plate positioned between the hotplates. As with the Everhot 120, this is the ideal cooker for those who require more heat in their kitchen.

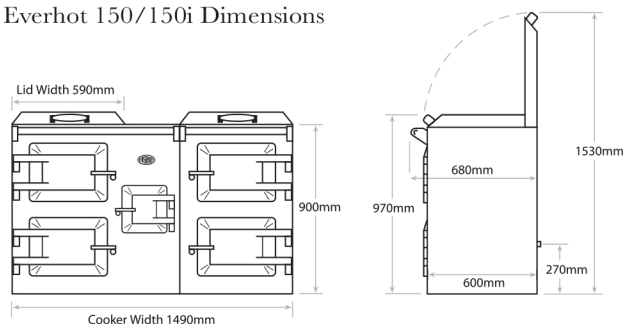
## EVERHOT | 150i

Offering the height of technology and classic design, the Everhot 150i has three independently controlled ovens (roasting, baking and slow cooking), an additional plate warming oven, cast iron hot and simmer plates and a three-zone induction hob.

The controls for the Everhot 150i hide neatly behind the centre door, whilst a touch-screen induction hob is revealed underneath the right hand lid. The range delivers real presence into your kitchen and its combination of traditional cast iron plates and high-tech induction was a groundbreaking development by Everhot.

The state-of-the-art induction hob matches all our requirements for both reliability and performance.

### Everhot 150/150i Dimensions



See specification & price sheet or visit [www.everhot.co.uk](http://www.everhot.co.uk) for full details.