



EVERHOT | 120

The Everhot 120 lets you enjoy the luxury of four ovens and four cast iron hotplates (each being independently adjustable for maximum versatility). So you can have cakes in one oven, roast vegetables in another, a joint in the third and plates warming in the fourth - all at different temperatures. On the hotplates, a sauce simmering gently, peas boiling on another and loads more hotplate space to spare. Each of the large top ovens has an integral grill.

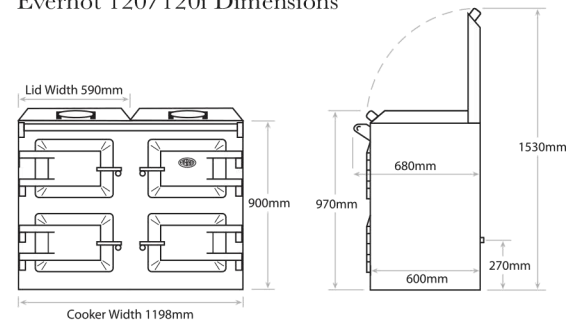
As with the Everhot 60 the control boxes are external and can be conveniently situated in adjacent kitchen units (or on the worktop). This is the ideal cooker for those who require more heat in their kitchen.

EVERHOT | 120i

The Everhot 120i provides you with three ovens - on the left you'll find the roasting and baking ovens, and on the right a slow cooking oven for when you have a houseful. With the 120i the final door conceals all the controls necessary to run the cooker.

In addition to the classic cast iron hot and simmer plates, the 120i incorporates a fantastic three zone induction hob, perfect for hot summer days or to augment the overall cooking area.

Everhot 120/120i Dimensions



See specification & price sheet or visit www.everhot.co.uk for full details.