



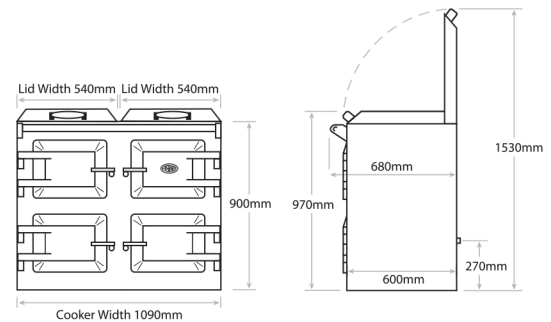
EVERHOT | 110+

The Everhot 110+ offers the classic configuration of cast iron hot and simmer plates under separate lids, both of which are independently controllable. In addition, this cooker has three ovens; ideal for those customers who want to have a roasting, baking and slow cooking set up. The fourth door provides access to the controls of the cooker.

EVERHOT | 110i

The Everhot 110i offers a fascinating hybrid of classic cast iron hotplate cooking, whilst providing the latest in induction technology with its two zone hob – ideal to increase the overall hotplate space or to provide a useful facility during the summer months. This cooker also benefits from three full size controllable ovens.

Everhot 110+/110i Dimensions



See specification & price sheet or visit www.everhot.co.uk for full details.