



# Masterchef Deluxe



# Masterchef Deluxe | dual fuel



Trim: Chrome

## KEY FEATURES

- 79 litre multifunction oven (LH) with Rapid Response™
- 79 litre fan oven (RH 110cm); 67 litre tall fan oven (RH 90cm)
- 21 litre slow cook oven (TR 110cm)
- Smooth action, telescopic shelves in the 79 litre ovens
- Self-clean catalytic liners in the 79 litre ovens
- Deluxe glide-out grill™ with 4-way trivet (dual circuit)
- Meat probe in multifunction oven
- Single-handed ignition and one-piece bolted professional brass burners
- 5 burner hob, including a 5kW industrial strength burner
- Semi-gloss cast iron pan supports

## HOB OPTIONS

  
Gas (DF)  
(Single-handed ignition)



90cm



110cm



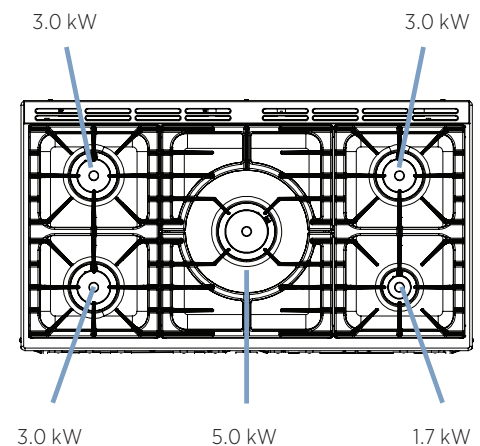
90cm



## SPECIFICATIONS - DUAL FUEL MODELS

MASTERCHEF DELUXE	90 CM	110 CM
HOB FUEL TYPE	GAS (DF)	GAS (DF)
WIDTH (mm)	900	1092
HEIGHT TO HOB (mm) MIN/MAX	905 / 930	905 / 930
DEPTH EXCLUDING/INCLUDING HANDS (mm)	608 / 694	608 / 694
WEIGHT (KG - UNPACKED)	123	146
HOB POWER RATINGS (kW)	1 x 1.7 3 x 3 1 x 5	1 x 1.7 3 x 3 1 x 5
TOTAL HOB RATING (kW @ 230V)	15.70	15.70
MAXIMUM ELECTRICAL LOAD (kW @ 230V)	8.60	9.60
CAPACITY - BOTTOM LH OVEN (LITRES)	79	79
CAPACITY - BOTTOM RH OVEN (LITRES)	-	79
CAPACITY - TOP RH OVEN (LITRES)	-	21
CAPACITY - TALL RH OVEN (LITRES)	67	-
ENERGY RATING - BOTTOM LH OVEN	A	A
ENERGY RATING - BOTTOM RH OVEN	-	A
ENERGY RATING - TALL RH OVEN	A	-
ELECTRIC OVEN (TR)	-	SLOW COOK OVEN
ELECTRIC OVEN (BL)	MULTIFUNCTION (PROGRAMMABLE)	MULTIFUNCTION (PROGRAMMABLE)
ELECTRIC OVEN (RH)*	FAN	FAN
DUAL CIRCUIT DELUXE GLIDE-OUT GRILL™	YES	YES
GRILL TRAY TYPE	DEEP WITH 4-WAY TRIVET	DEEP WITH 4-WAY TRIVET
GRIDDLE	-	-
WOK RING	OPTIONAL EXTRA	OPTIONAL EXTRA
CATALYTIC LINERS	LH OVEN	BOTH OVENS
OVEN LIGHT	LH OVEN	BOTH OVENS
MINUTE MINDER (CLOCK)	3 BUTTON	3 BUTTON
MEAT PROBE	LH OVEN	LH OVEN

## GAS HOB



Oven dimensions are for information only; they should not be used to define oven cookware dimensions.



# Masterchef Deluxe | induction



Trim: Chrome

## KEY FEATURES

- 79 litre multifunction oven (LH) with Rapid Response™
- 79 litre fan oven (RH 110cm); 67 litre tall fan oven (RH 90cm)
- 21 litre slow cook oven (TR 110cm)
- Smooth action, telescopic shelves in both 79 litre ovens
- Self-clean catalytic liners in both 79 litre ovens
- Deluxe glide-out grill™ with 4-way trivet (dual circuit)
- Meat probe in multifunction oven
- 5-zone hob including bridging functionality
- Preparation (L1) keep warm (L2) and optimum simmer (L3)
- Griddle

## HOB OPTIONS



Induction



90cm



110cm



90cm

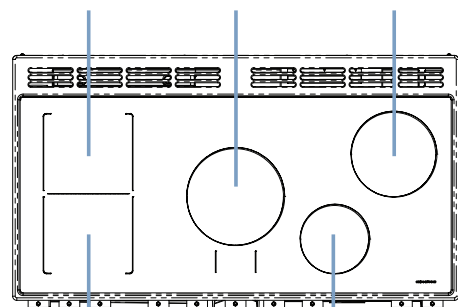


## SPECIFICATIONS - INDUCTION MODELS

MASTERCHEF DELUXE	90 CM	110 CM
HOB FUEL TYPE	INDUCTION	INDUCTION
WIDTH (mm)	900	1100
HEIGHT TO HOB (mm) MIN/MAX	905 / 930	905 / 930
DEPTH EXCLUDING/INCLUDING HANDS (mm)	608 / 690	608 / 690
WEIGHT (KG - UNPACKED)	121	143
HOB POWER RATINGS (kW)	1x 1.15 standard / 2 boost 3 x 1.85 standard / 2.5 boost	1x 1.15 standard / 2 boost 3 x 1.85 standard / 2.5 boost
	1x 1.85 standard / 3.2 boost	1x 1.85 standard / 3.2 boost
TOTAL HOB RATING (kW @ 230V)	7.40	7.40
MAXIMUM ELECTRICAL LOAD (kW @ 230V)	16	17
CAPACITY - BOTTOM LH OVEN (LITRES)	79	79
CAPACITY - BOTTOM RH OVEN (LITRES)	-	79
CAPACITY - TOP RH OVEN (LITRES)	-	21
CAPACITY - TALL RH OVEN (LITRES)	67	-
ENERGY RATING - BOTTOM LH OVEN	A	A
ENERGY RATING - BOTTOM RH OVEN	-	A
ENERGY RATING - TALL RH OVEN	A	-
ELECTRIC OVEN (TR)	-	SLOW COOK OVEN
ELECTRIC OVEN (BL)	MULTIFUNCTION (PROGRAMMABLE)	MULTIFUNCTION (PROGRAMMABLE)
ELECTRIC OVEN (RH)*	FAN	FAN
DUAL CIRCUIT DELUXE GLIDE-OUT GRILL™	YES	YES
GRILL TRAY TYPE	DEEP WITH 4-WAY TRIVET	DEEP WITH 4-WAY TRIVET
GRIDDLE	YES	YES
WOK RING	-	-
CATALYTIC LINERS	LH OVEN	BOTH OVENS
OVEN LIGHT	LH OVEN	BOTH OVENS
MINUTE MINDER (CLOCK)	3 BUTTON	3 BUTTON
MEAT PROBE	LH OVEN	LH OVEN

## INDUCTION HOB / BRIDGING-ZONE

Max: 1.85 kW Boost: 2.5 kW    Max: 1.85 kW Boost: 3.2 kW    Max: 1.85 kW Boost: 2.5 kW



Max: 1.85 kW Boost: 2.5 kW

Max: 1.15 kW Boost: 2.0 kW

Oven dimensions are for information only; they should not be used to define oven cookware dimensions.

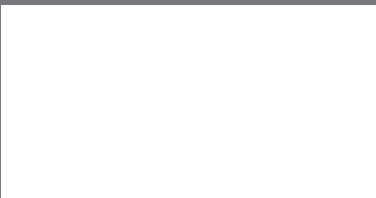
People with cardiac pacemakers or implanted insulin pumps must make sure that their implants are not affected by the induction hob (the frequency range of the induction hob is 20-60kHz).



For your way of life



Distributor / Dealer Information:



[www.agaliving.com](http://www.agaliving.com)

For your local UK AGA specialist, call 0845 712 5207

International: +44 (0) 115 946 6138

Copyright © AGA Rangemaster Limited 2019. AGA is a trading name of AGA Rangemaster Limited. Registered in England and Wales under registration number 3872754. Registered office: AGA Rangemaster, Meadow Lane, Long Eaton, Nottingham, NG10 2GD. Brand names, words and logos are registered trademarks of AGA Rangemaster Limited.

AGA continuously seeks improvements in specification, design and production of products and thus, alterations take place periodically. Whilst every effort is made to produce up-to-date literature, this brochure should not be regarded as an infallible guide to current specification, nor does it constitute an offer for the sale of any particular appliance.



07/19 LPRT510931